



NovaTrac Light Type E



68NV-COB-TLExx30U2

NovaTrac Light E 30W

We are proud to introduce our new series of Nova Track Lights. The Nova Track are taking advantage of the “chip on board” COB technology, which has taken the LED development to a new turn. They are becoming more and more look and feel like the old fashion light bulbs. COB will allow the fixtures to use reflectors and lenses to make wonderful delivery of single shadow light beam. Remember how its feel when you see multiple shadows from a LED spot lights. You will not see that in the COB technology. The new series of Nova Tracks will bring you easy to install and easy to retrofit any existing track lights you already have, without re doing any electrical wiring.



Product Technical Data

General Informaion

Adaptor	Track Light
Life Span	50000hr

Product Dimensions

Height	285mm
Width	132mm
Circular diameter	92mm

Light Characteristics

Efficacy	94 lm/w
Beam Angle	30 D
CCT	3000K,4000K,6400K
Flux	2700-3700 lm
	80
Color Rending Index	

Ordering Information

Product Name	Nova Track Light E 30V	
Product Ordering #	3000K	68NV-COB-TLE3030U2
	4000K	68NV-COB-TLE4030U2
	6400K	68NV-COB-TLE6430U2

Electrical Characteristics

Wattage	30W
Voltage	85-265VAC
Power Factor	0.937

Pieces Per Pack	1
Packs Per Carton	50
Net Weight Per Piece	300 Grams

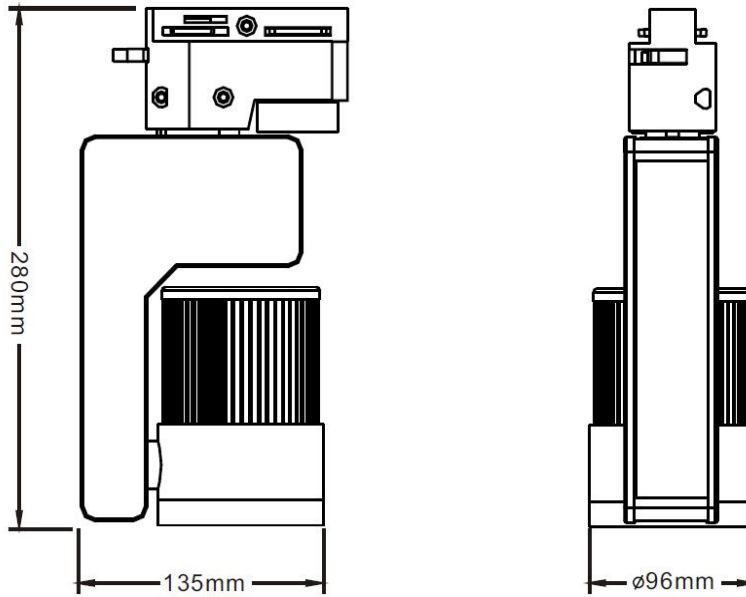
Temperature

Operating Temp.	-30(min), 65(max)C
Storage	-40(min), 65(max)C

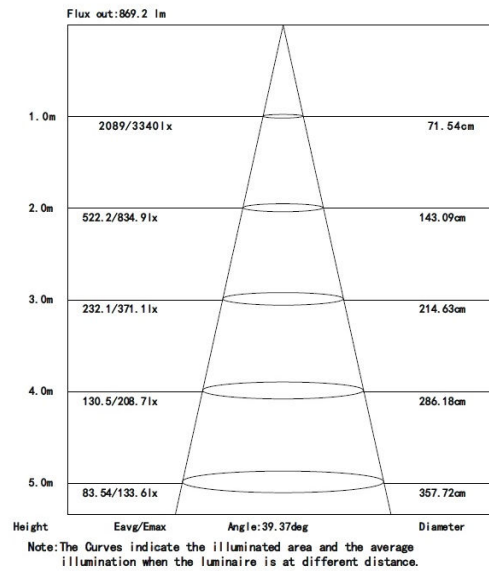
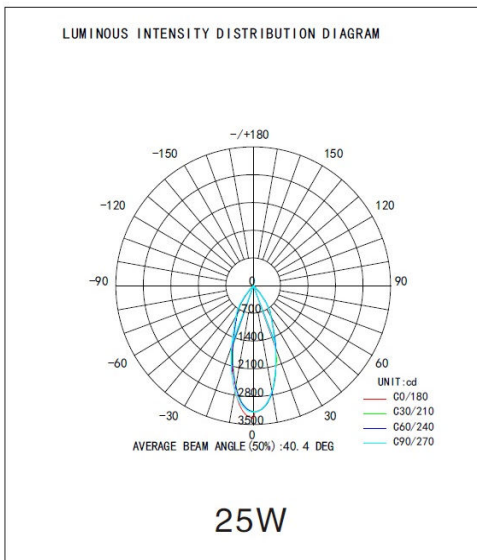
www.u-tron.com



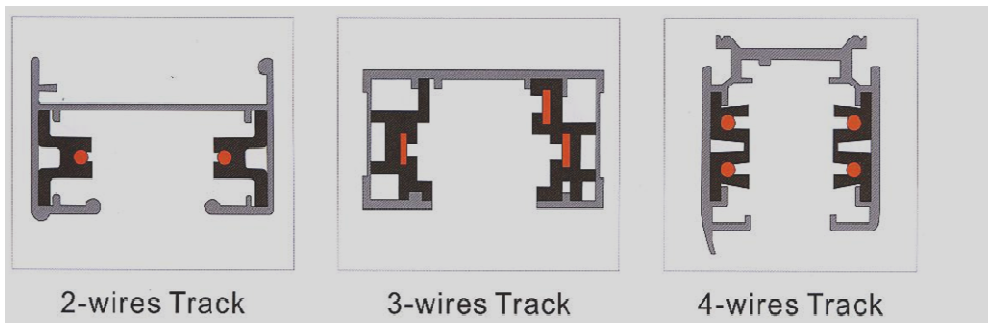
Technical Drawing



Technical Data



Track Light Circuit



Ordering Part Number

Sample Number: 68NV-COB-TLE3020U2

